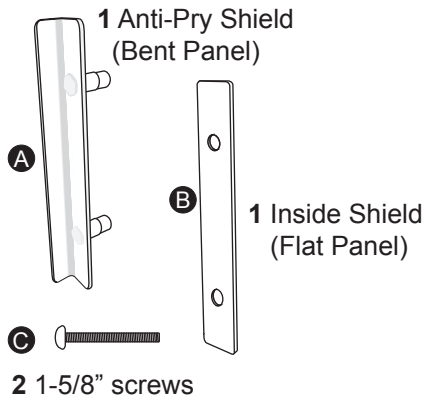


PRO Door Shield

DSH-PRO-20000, DSH-PRO-22000
and DSH-PRO-23000

Included Parts:



Required:

- 19/64" Drill Bit
- Philips head screwdriver or drill bit
- Marker or pencil

⚠ Safety information warning

• The use of work gloves and safety glasses is strongly recommended while installing this product.

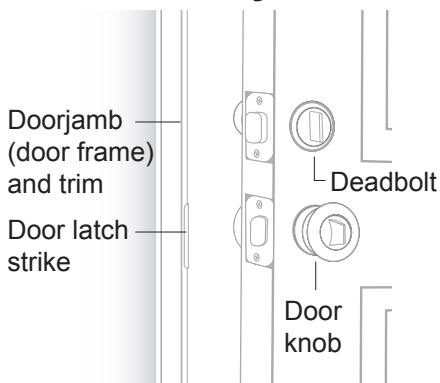
Wood and metal shaving/splinters can cause serious bodily injury.

• As with all products requiring installation, to reduce the possibility of accidental injury to you or others FOLLOW ALL INSTALLATION INSTRUCTIONS contained herein accurately and carefully.

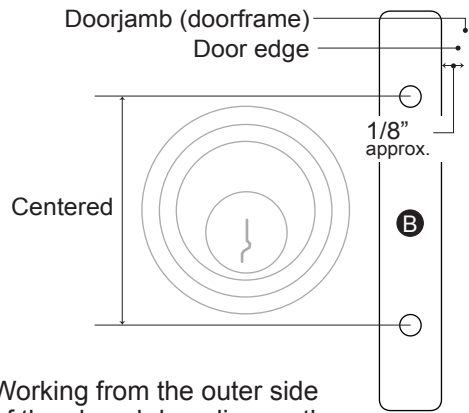
Preparation

Before beginning installation of product, make sure all parts are present. Compare parts with package contents list and diagram above. If any part is missing or damaged, do not attempt to assemble the product. Contact customer service for replacement parts at 1-888-582-2294 or visit www.armorconcepts.com.

Door anatomy



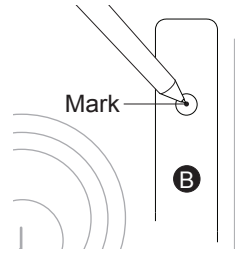
STEP 1



Working from the outer side of the closed door, line up the **B** Inside Shield approximately 1/8 inch from the doorjamb (door frame). The Shield should be aligned so that deadbolt (or doorknob if you are installing two Door Shield systems) is centered between the two holes on the shield.

STEP 2

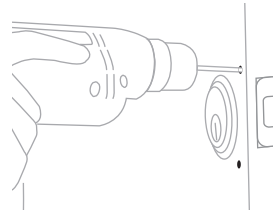
With a pencil or marker, mark on door in the center of each of the two holes. This is where you will drill through the door.



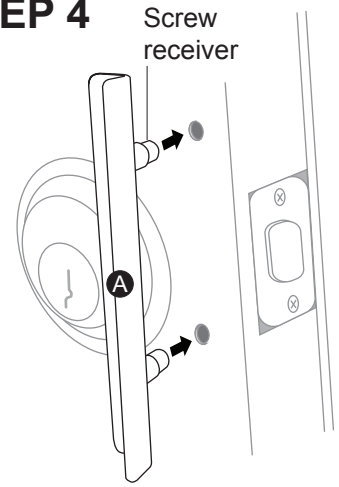
Note: Make sure that you accurately mark the center of the holes. Inaccurate marking may result in issues installing the shields.

STEP 3

Remove the Inside Shield. Using a 19/64 drill bit, drill at your marked locations. Drill all the way through the door, making certain to keep the drill parallel to the ground. **Note:** It is important to drill straight when creating the holes. Not doing so will result in installation issues.

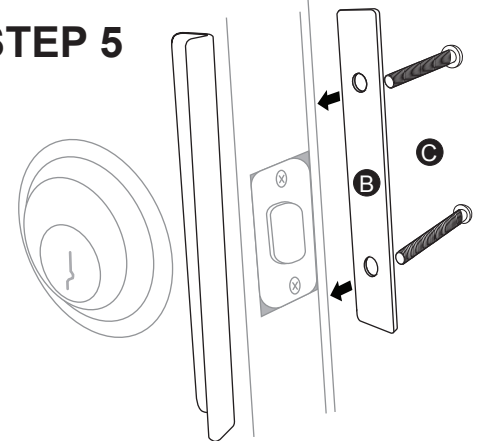


STEP 4



The **A** Anti-Pry Shield goes on the outer side of the door. Insert the two Anti-Pry Shield screw receivers into the drilled holes on the outer side of the door. The bent side of the Anti-Pry Shield should be closest to the door's edge.

STEP 5



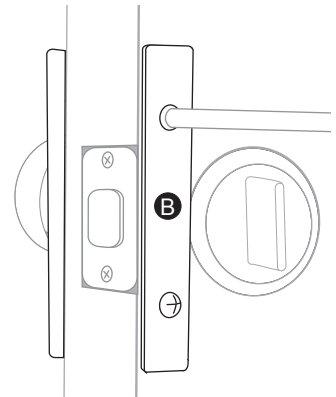
On the inner side of the door, place the **B** Inside Shield so that the screw holes line up with the holes in the shield.

STEP 6

Insert the **C** screws into each hole and the screw receiver. Hand-tighten.

STEP 7

Make sure that both shields are lined up correctly and tighten the screws using a screwdriver or drill with a bit.



STEP 8

Make sure that the door closes properly.

Armor Concepts has products for most style doors
For more products and information, contact
Armor Concepts, LLC



The Ultimate Door Security and Repair Solution



Questions? Call customer service
at 1-888-582-2294 or visit
www.djarmor.com